



Gradeall

INTERNATIONAL LIMITED

FIBREGLASS BALER

REDUCES, RECYCLES & SAVES MONEY



TURN WASTE MATERIALS INTO PROFIT

BALERS | COMPACTORS | BIN LIFTS | SHREDDERS | MISCELLANEOUS

FIBREGLASS BALER

TURN WASTE MATERIALS INTO PROFIT

MAIN FEATURES

- Produces a solid 620kg Fibreglass Bale
- Three Bales per hour
- 45 Bales into a 40ft Sea Container
- 23 ton into a 40ft Sea Container
- Bale size 1,500 wide x 1100 high x 750 deep
- 4 hours set-up time
- Large chamber door for loading
- Easy to use
- Safe Operation
- Heavy Duty Construction
- CE Marked
- Handles Fibreglass, Car Bumpers, WEE Plastics and Bulky Materials

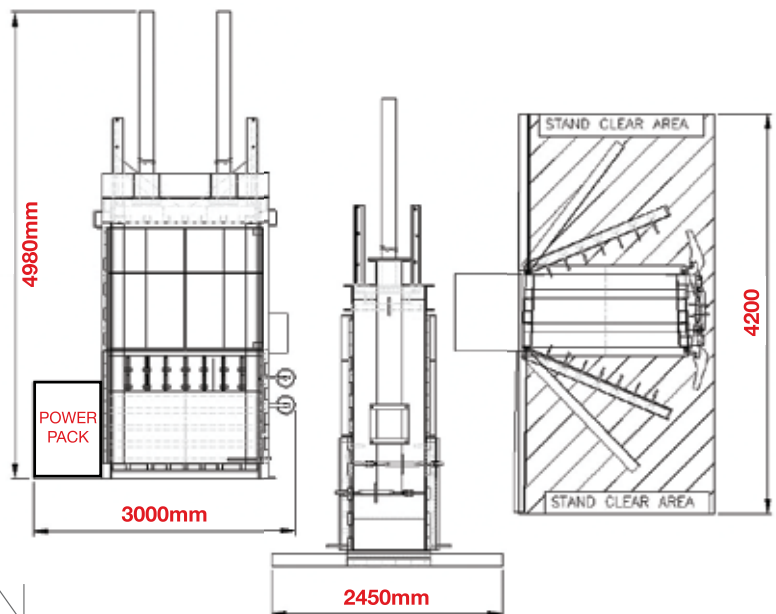


SPECIFICATIONS

Feed Capacity:	W 1500mm x D 750mm x H 2400mm
Bale Weight:	500/600kg
Cycle Time:	67 secs
Electric Motor:	7.5kw
Electrical Power:	3PH 415 volt
Bale Tying:	Manual

DIMENSIONS

Upper Loading Door:	1500mm x 500mm
Middle Loading Door:	1500mm x 500mm
Overall Height:	4980mm
Overall Depth:	2450mm
Overall Width:	3000mm
Overall Working Width:	4200mm
Weight:	4.8 ton



FOR FURTHER INFORMATION



Address: 9 Farlough Road
Dungannon
Co. Tyrone
N. Ireland
BT71 4DT

Telephone: +44 (0)28 8774 0484
Facsimile: +44 (0)28 8774 8823
Stephen Mobile: +44 (0)7703 529008
Tommy Mobile: +44 (0)7802 902634
Email: sales@gradeall.com

www.gradeall.com